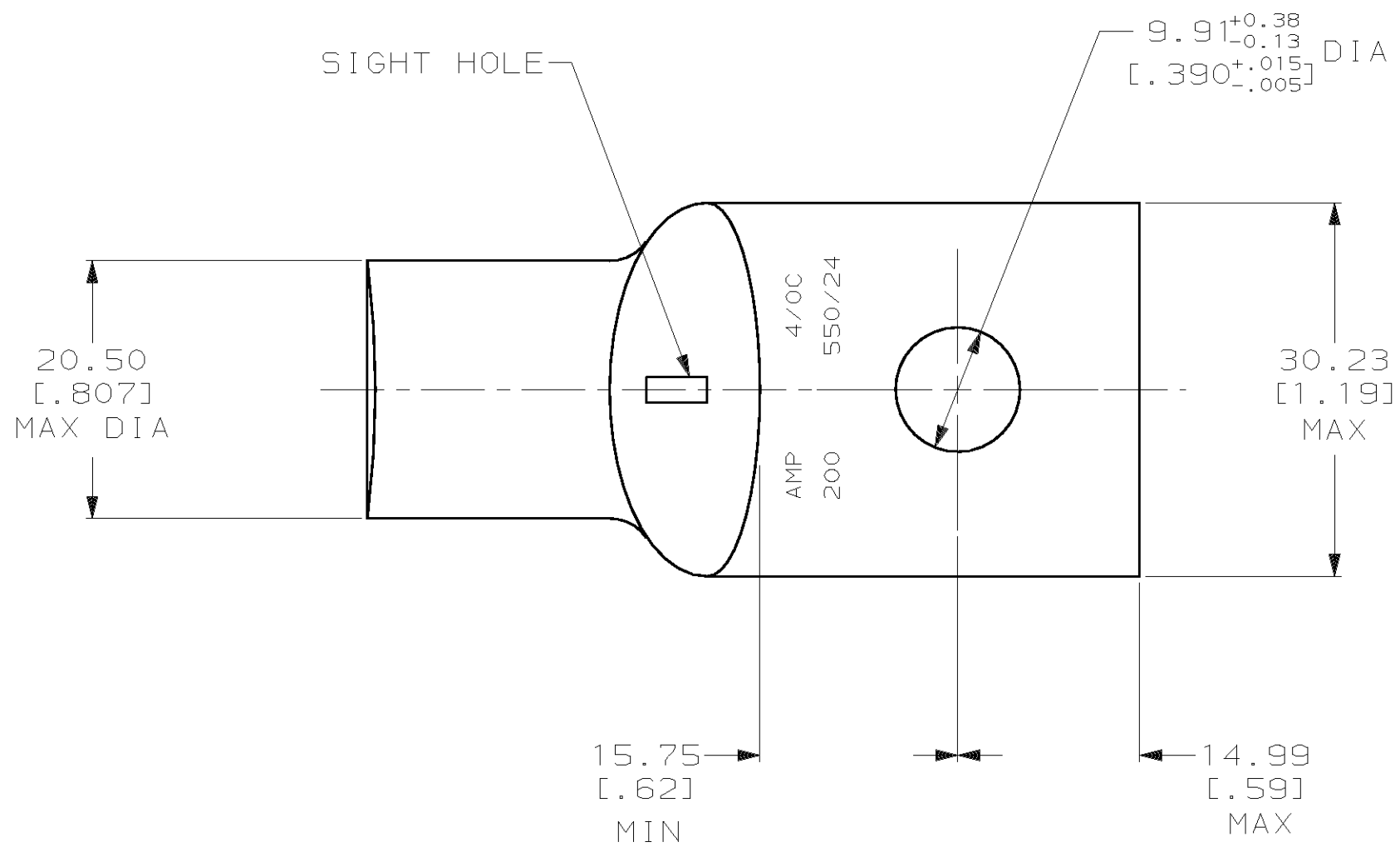
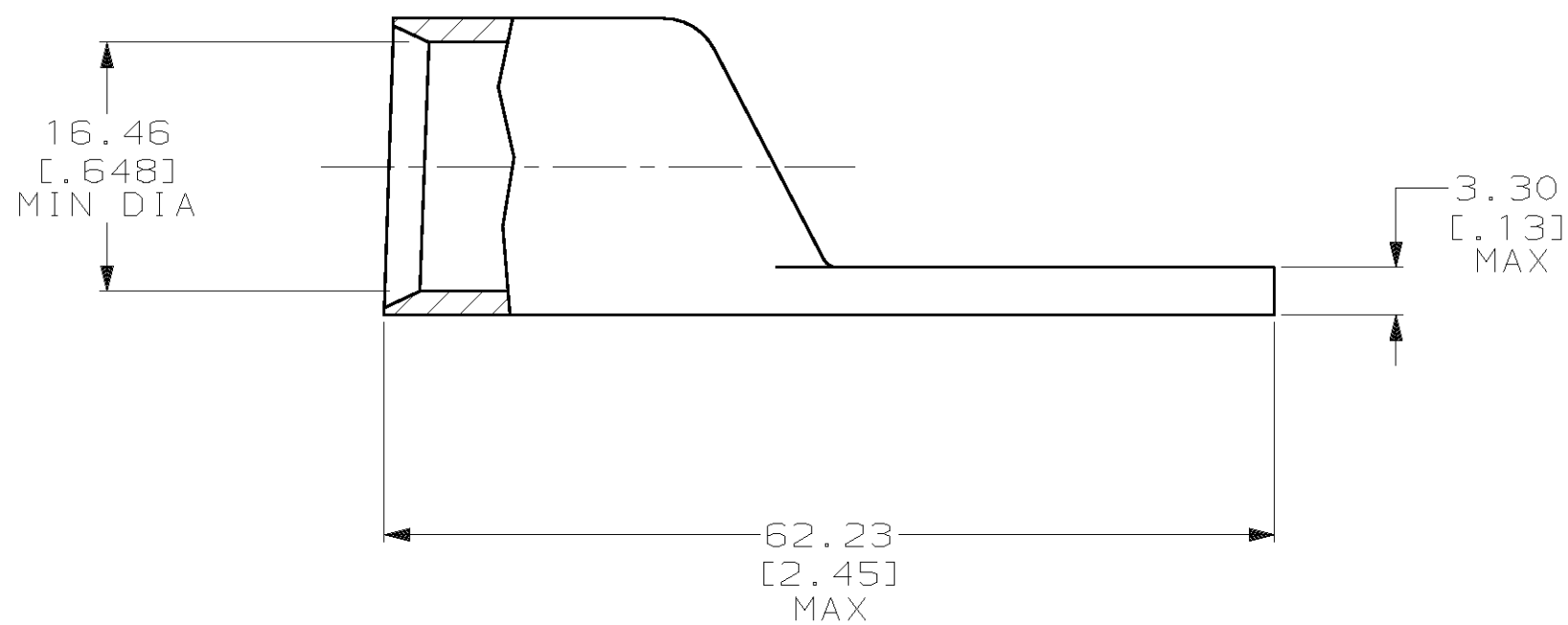


THIS DRAWING IS UNPUBLISHED. RELEASED FOR PUBLICATION, 19 .
 © COPYRIGHT 19 BY AMP INCORPORATED. ALL INTERNATIONAL RIGHTS RESERVED.


LOC	DIST	P	F	ZONE	LTR	DESCRIPTION	DATE	APPD
G	86					REV PER 0G3A-0561-01	07OCT02	JR MS



1 CIRCULAR MIL RANGE: 190,000-231,000 CM



NONE	325603-2
REQD	325603
SIGHT HOLE	PART NO

DO NOT SCALE PRINT. UNLESS SPECIFIED DIMENSIONS IN mm [INCHES] TOLERANCES ON : 2 PLC DEC ± - 3 PLC DEC ± - ANGLES ± -	DR 02/28/90 DK SCHRUM	 AMP Incorporated Harrisburg, PA 17105-3608
	CHK 8/10/92 AJ KAUFMAN	
MATERIAL COPPER PER ASTM B-75 ANNEALED	APPD 8/10/92 RE ROSER	NAME TERMINAL, AMPOWER, WIRE SIZE: 4/0 AWG
FINISH TIN PLATE 0.00381 [.000150] MIN THK PER MIL-T-10727	APPD 8/10/92 JL MECKLEY	PRODUCT SPEC -
THIS DRAWING IS A CONTROLLED DOCUMENT FOR AMP INCORPORATED. IT IS SUBJECT TO CHANGE AND THE CONTROLLING ENGINEERING ORGANIZATION SHOULD BE CONTACTED FOR THE LATEST REVISION.	APPLICATION SPEC -	SIZE C 00779
	WEIGHT .102 LBS	DRAWING NO C-325603
		SCALE 2:1
		SHEET 1 OF 1